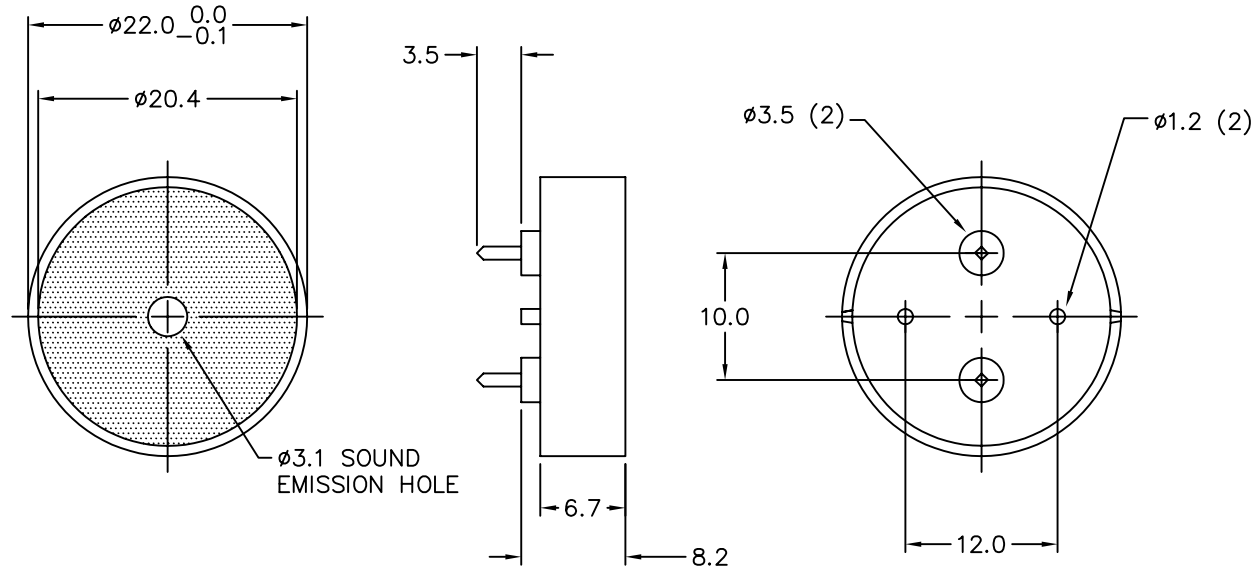


THIS DOCUMENT CONTAINS DATA PROPRIETARY TO PROJECTS UNLIMITED, INC. ANY USE OR REPRODUCTION, IN ANY FORM, WITHOUT PRIOR WRITTEN PERMISSION OF PROJECTS UNLIMITED, INC. IS PROHIBITED.
© 2005, Projects Unlimited Inc.

SPECIFICATIONS

PARAMETERS	VALUES	UNITS
RATED VOLTAGE	3	Vp-p
OPERATING VOLTAGE RANGE	1 ~ 30	Vp-p
RATED CURRENT (MAX)	3	mA
CAPACITANCE	25000±30%	pF
MINIMUM SPL @ 10 CM	75	dBA
RESONANT FREQUENCY	3500±500	Hz
OPERATING TEMPERATURE	-40 ~ +90	°C
STORAGE TEMPERATURE	-30 ~ +105	°C
HOUSING MATERIAL	PPS	-
TERMINAL MATERIAL	Sn PLATED COPPER	-
WEIGHT	2.5	grams


REVISIONS			
LTR	DESCRIPTION	DATE	APPROVED
-	RELEASED FROM ENGINEERING	1/31/06	



NOTES:

1. ALL DIMENSIONS ARE IN MILLIMETERS.
2. SPECIFICATION SUBJECT TO CHANGE OR WITHDRAWAL WITHOUT NOTICE.
3. REFLOWABLE TO 260°C.
4. THIS PART IS RoHS 2002/95/EC COMPLIANT.

FILE NAME
AT-2235-TT-R.DWG

UNLESS OTHERWISE SPECIFIED: DIMENSIONS ARE IN MILLIMETERS, TOLERANCES ARE ±0.5 AND ANGLES ARE ±5°.		 projects® unlimited Dayton, Ohio									
<table border="1"> <thead> <tr> <th>APPROVALS</th> <th>DATE</th> </tr> </thead> <tbody> <tr> <td>DRAWN <i>J.A.F.</i></td> <td>01/06</td> </tr> <tr> <td>CHECKED <i>B.R.</i></td> <td>01/06</td> </tr> <tr> <td>APPROVED <i>E.P.</i></td> <td>01/06</td> </tr> </tbody> </table>		APPROVALS	DATE	DRAWN <i>J.A.F.</i>	01/06	CHECKED <i>B.R.</i>	01/06	APPROVED <i>E.P.</i>	01/06	TRANSDUCER (PIEZO)	
APPROVALS	DATE										
DRAWN <i>J.A.F.</i>	01/06										
CHECKED <i>B.R.</i>	01/06										
APPROVED <i>E.P.</i>	01/06										
<table border="1"> <thead> <tr> <th>SIZE</th> <th>DRAWING NO.</th> </tr> </thead> <tbody> <tr> <td>A</td> <td>AT-2235-TT-R</td> </tr> </tbody> </table>		SIZE	DRAWING NO.	A	AT-2235-TT-R	SHEET 1 OF 1					
SIZE	DRAWING NO.										
A	AT-2235-TT-R										
DO NOT SCALE DRAWING		SCALE: N.T.S.									